

Product Specification

Flexible LED Strip

AC 230V LED Double side light emitting HV Strip

2835 AC230V 94LEDs/M IP65

HVFLST2XJE-XX-EU-HR-HQ1-DU(XX)
&
HVFLST2XJE-XX-EU-HR-HQ1-DU-EP(XX)



HK Office :

Unit 1901, 19th Floor, NanYang Plaza, No. 57 Hung To Road
Kwun Tong, Kowloon, Hong Kong

Tel : (852) 3152 3059 (10 lines)


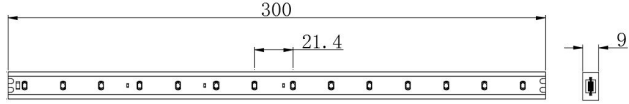
Fax : (852) 3152 3039



China Factory :



Zhiyang Science and Technology Park, 10 Zhiyang Road, Zhangge,
Fucheng Street, Longhua District, Shenzhen, Guangdong, China

Tel : (86) 755 8601 9190

Fax : (86) 755 8601 9197

<p>Product Features</p> <ul style="list-style-type: none"> • High quality FPC • Double side light emitting • Self-encapsulated design 2835 LED; • Light source lifetime:30K hours(L70); • Meet (EU)2019/2020 ErP regulations. • Min. Bending Diameter: Φ100mm • Max. length(M): 50M 	 
<p>Technology info</p> <ul style="list-style-type: none"> • Lighting Technology: LED • DLS or NDLS: NDLS • MLS or NMLS: MLS 	<p>Certification Standards</p> <ul style="list-style-type: none"> • EN55015 • EN61547 • EN60598 • EN62493 • EN62471

<p>Non-ErP Waterproof Type</p>	
	 65
	PVC Extrusion Strip 3 Years Warranty

<p>ErP Waterproof Type</p>	
	 65
	PVC Extrusion Strip 3 Years Warranty

HVFLST2XJE-XX-EU-HR-HQ1-DU(XX)

Parameters for non-ErP

Model NO.	CRI (Ra)	Rf	Rg	Typical Power (W/M)	Max. Power (W/M)	Color	LED Color Temp.(K) Wavelength(nm) *	3SDCM LED Color Temp.(K) Wavelength(nm)**	Typ. Luminous Flux LM/M(39.37in)	Rated voltage
HVFLST2WJE-05-EU-HR-HQ1-DU(LH)	80	82	96	10	11	Warm White	2600-2900K	/	1000	AC 230V
HVFLST2WJE-05-EU-HR-HQ1-DU(LH)						Warm White	2900-3200K	/	1025	
HVFLST2NJE-05-EU-HR-HQ1-DU(LH)						Natural White	3700-4250K	/	1108	
HVFLST2SJE-05-EU-HR-HQ1-DU(LH)						Standard White	5700-6500K	/	1075	
HVFLST2WJE-10-EU-HR-HQ1-DU(LH)	80	82	96	10	11	Warm White	2600-2900K	/	1000	AC 230V
HVFLST2WJE-10-EU-HR-HQ1-DU(LH)						Warm White	2900-3200K	/	1025	
HVFLST2NJE-10-EU-HR-HQ1-DU(LH)						Natural White	3700-4250K	/	1108	
HVFLST2SJE-10-EU-HR-HQ1-DU(LH)						Standard White	5700-6500K	/	1075	
HVFLST2WJE-20-EU-HR-HQ1-DU(LH)	80	82	96	10	11	Warm White	2600-2900K	/	1000	AC 230V
HVFLST2WJE-20-EU-HR-HQ1-DU(LH)						Warm White	2900-3200K	/	1025	
HVFLST2NJE-20-EU-HR-HQ1-DU(LH)						Natural White	3700-4250K	/	1108	
HVFLST2SJE-20-EU-HR-HQ1-DU(LH)						Standard White	5700-6500K	/	1075	
HVFLST2WJE-25-EU-HR-HQ1-DU(LH)	80	82	96	10	11	Warm White	2600-2900K	/	1000	AC 230V
HVFLST2WJE-25-EU-HR-HQ1-DU(LH)						Warm White	2900-3200K	/	1025	
HVFLST2NJE-25-EU-HR-HQ1-DU(LH)						Natural White	3700-4250K	/	1108	
HVFLST2SJE-25-EU-HR-HQ1-DU(LH)						Standard White	5700-6500K	/	1075	
HVFLST2WJE-50-EU-HR-HQ1-DU	80	82	96	10	11	Warm White	2600-2900K	/	1000	AC 230V
HVFLST2WJE-50-EU-HR-HQ1-DU						Warm White	2900-3200K	/	1025	
HVFLST2NJE-50-EU-HR-HQ1-DU						Natural White	3700-4250K	/	1108	
HVFLST2SJE-50-EU-HR-HQ1-DU						Standard White	5700-6500K	/	1075	

Remarks:

- * The above color temperature is the color temperature of LED source.
- The typ. Luminous flux tolerance range is $\pm 10\%$ (subject to the manufacturer's instrument test).

Test condition of above technical data:

- Surrounding temperature: 26°C.
- Test while turning on.

HVFLST2XJE-XX-EU-HR-HQ1-DU-EP(XX)

Parameters for ErP

Model NO.	CRI (Ra)	Rf	Rg	Typical Power (W/M)	Max. Power (W/M)	Color	LED Color Temp.(K) Wavelength(nm) *	Luminous Flux LM/M(39.37')	Lumen/watt	Energy Efficiency class	Rated voltage
HVFLST2WJE-05-EU-HR-HQ1-DU-EP(LH)	80	82	96	10.83	11.92	Warm White	2700K	992	92	F	AC 230V
HVFLST2WJE-05-EU-HR-HQ1-DU-EP(LH)						Warm White	3000K	1033	95	F	
HVFLST2NJE-05-EU-HR-HQ1-DU-EP(LH)						Natural White	4000K	1092	101	F	
HVFLST2SJE-05-EU-HR-HQ1-DU-EP(LH)						Standard White	6000K	1083	100	F	
HVFLST2WJE-10-EU-HR-HQ1-DU-EP(LH)	80	82	96	10.83	11.92	Warm White	2700K	992	92	F	AC 230V
HVFLST2WJE-10-EU-HR-HQ1-DU-EP(LH)						Warm White	3000K	1033	95	F	
HVFLST2NJE-10-EU-HR-HQ1-DU-EP(LH)						Natural White	4000K	1092	101	F	
HVFLST2SJE-10-EU-HR-HQ1-DU-EP(LH)						Standard White	6000K	1083	100	F	
HVFLST2WJE-20-EU-HR-HQ1-DU-EP(LH)	80	82	96	10.83	11.92	Warm White	2700K	992	92	F	AC 230V
HVFLST2WJE-20-EU-HR-HQ1-DU-EP(LH)						Warm White	3000K	1033	95	F	
HVFLST2NJE-20-EU-HR-HQ1-DU-EP(LH)						Natural White	4000K	1092	101	F	
HVFLST2SJE-20-EU-HR-HQ1-DU-EP(LH)						Standard White	6000K	1083	100	F	
HVFLST2WJE-25-EU-HR-HQ1-DU-EP(LH)	80	82	96	10.83	11.92	Warm White	2700K	992	92	F	AC 230V
HVFLST2WJE-25-EU-HR-HQ1-DU-EP(LH)						Warm White	3000K	1033	95	F	
HVFLST2NJE-25-EU-HR-HQ1-DU-EP(LH)						Natural White	4000K	1092	101	F	
HVFLST2SJE-25-EU-HR-HQ1-DU-EP(LH)						Standard White	6000K	1083	100	F	
HVFLST2WJE-50-EU-HR-HQ1-DU-EP	80	82	96	10.83	11.92	Warm White	2700K	992	92	F	AC 230V
HVFLST2WJE-50-EU-HR-HQ1-DU-EP						Warm White	3000K	1033	95	F	
HVFLST2NJE-50-EU-HR-HQ1-DU-EP						Natural White	4000K	1092	101	F	
HVFLST2SJE-50-EU-HR-HQ1-DU-EP						Standard White	6000K	1083	100	F	

Remarks:

- *The above color temperature is the color temperature of LED source.

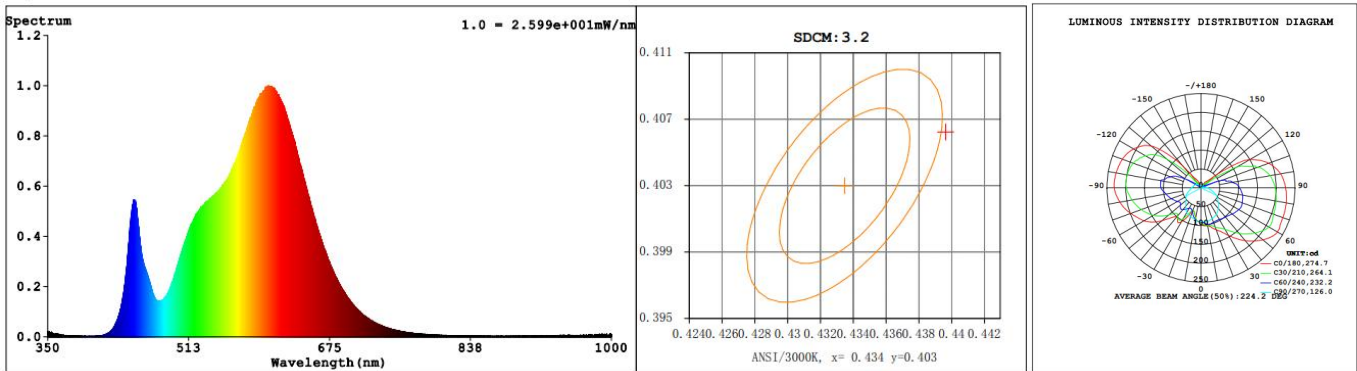
Test condition of above technical data:

- Surrounding temperature: 26 °C.
- Test after 10 mins turned on.

ErP Note:

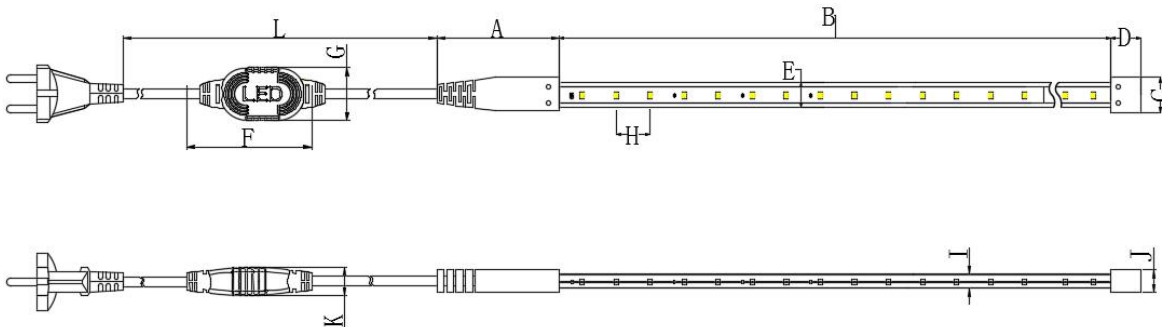
- According to the new ErP 2019/2020 regulation for each 0.5m or nearest 0.5m strip, the following requirements must be met:
 - Measured power \leq Pon +5% ;
 - Measured lumen \geq Useful luminous flux -10%;
 - Measured CRI \geq Declared CRI-2
 - ErP Only for industrial application.

Optical Test Diagram

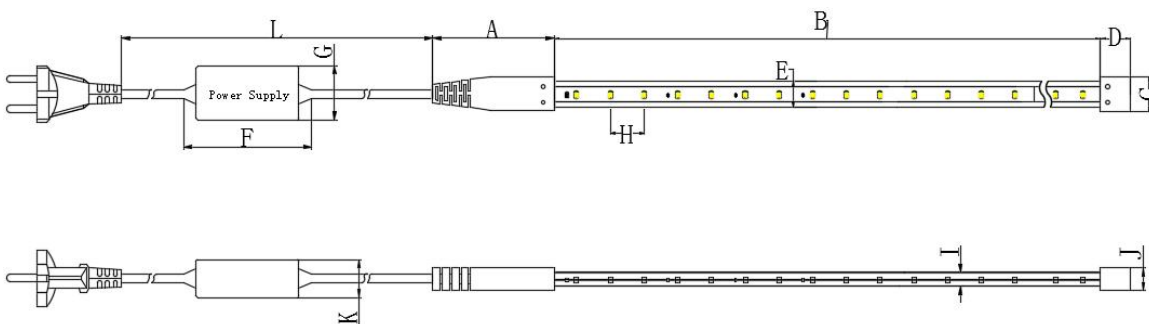


Dimension Drawing

Model NO.:HVFLST2XJE-05/10/20/25-EU-HR-HQ1-DU-XX(LH)



Model NO.:HVFLST2XJE-50-EU-HR-HQ1-DU-XX





5 M											
A	B	C	D	E	F	G	H	I	J	K	L
43±5mm	5100±30mm	21±1mm	19±1mm	15±1mm	79±1mm	33±1mm	21.4±0.5mm	9±1mm	14±1mm	18±0.5mm	1500±25mm
1.69±0.197in	200.79±1.18in	0.827±0.039in	0.748±0.039in	0.591±0.039in	3.11±0.039in	1.3±0.039in	0.843±0.0197in	0.354±0.039in	0.55±0.039in	0.71±0.0197in	59.06±0.98in
10M											
A	B	C	D	E	F	G	H	I	J	K	L
43±5mm	10200±50mm	21±1mm	19±1mm	15±1mm	79±1mm	33±1mm	21.4±0.5mm	9±1mm	14±1mm	18±0.5mm	1500±25mm
1.69±0.197in	401.57±1.97in	0.827±0.039in	0.748±0.039in	0.59±0.039in	3.11±0.039in	1.3±0.039in	0.843±0.0197in	0.354±0.039in	0.55±0.039in	0.71±0.0197in	59.06±0.98in
20 M											
A	B	C	D	E	F	G	H	I	J	K	L
43±5mm	20100±50mm	21±1mm	19±1mm	15±1mm	79±1mm	33±1mm	21.4±0.5mm	9±1mm	14±1mm	18±0.5mm	1500±25mm
1.69±0.197in	791.34±1.97in	0.827±0.039in	0.748±0.039in	0.59±0.039in	3.11±0.039in	1.3±0.039in	0.843±0.0197in	0.354±0.039in	0.55±0.039in	0.71±0.0197in	59.06±0.98in
25 M											
A	B	C	D	E	F	G	H	I	J	K	L
43±5mm	25200±50mm	21±1mm	19±1mm	15±1mm	79±1mm	33±1mm	21.4±0.5mm	9±1mm	14±1mm	18±0.5mm	1500±25mm
1.69±0.197in	992.16±1.97in	0.827±0.039in	0.748±0.039in	0.59±0.039in	3.11±0.039in	1.3±0.039in	0.843±0.0197in	0.354±0.039in	0.55±0.039in	0.71±0.0197in	59.06±0.98in
50 M											
A	B	C	D	E	F	G	H	I	J	K	L
43±5mm	50100±100mm	21±1mm	19±1mm	15±1mm	76±1mm	39±1mm	21.4±0.5mm	9±1mm	14±1mm	24±1mm	1500±25mm
1.69±0.197in	1972.44±3.94in	0.827±0.039in	0.748±0.039in	0.59±0.039in	2.99±0.039in	1.54±0.0394in	0.843±0.0197in	0.354±0.039in	0.55±0.039in	0.94±0.039in	59.06±0.98in

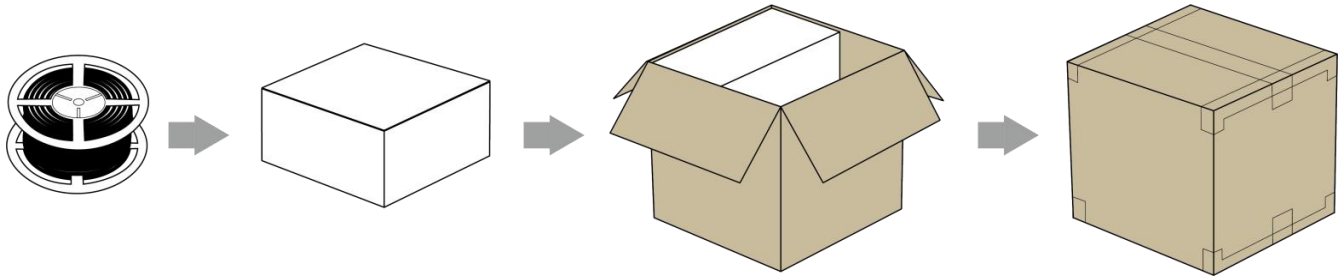
Remarks:

If you need further information, please contact our sales manager.

Optional Accessories

Category	Picture	Part No.	Matching product model	Description
POWER UNIT		HVFLSTX-FEC(EU)-LD(LH)	HVFLST2WJE-05-EU-HR-HQ1-DU-XX(LH) HVFLST2WJE-10-EU-HR-HQ1-DU-XX(LH) HVFLST2WJE-20-EU-HR-HQ1-DU-XX(LH) HVFLST2WJE-25-EU-HR-HQ1-DU-XX(LH)	Output: max 500W
POWER UNIT		HVFLSTX-FEC-EU	HVFLST2SJE-50-EU-HR-HQ1-DU-XX	Output: max 800W

Packaging Diagram



Packaging Information

Length	Reel size	Inner carton		Outer carton		N.W	G.W	Outer carton volume
		Size	Reel/ctn	Size	Reel/ctn			
5m	254*45mm	270*240*53mm	1	280*240*283mm	4	3.88KG±10%	5.5KG ±10%	0.019m ³
	10*1.77in	10.63*9.45*1.77in	1	11.02*9.45*11.14in	4	8.55Lbs ±10%	12.13Lbs ±10%	0.671ft ³
10m	330*50mm	345*330*61mm	1	362*265*350mm	4	7.12KG±10%	10.16KG ±10%	0.0335m ³
	12.99*1.97in	13.58*12.99*2.4in	1	14.25*10.43*13.78in	4	15.7Lbs ±10%	22.4Lbs ±10%	1.185ft ³
20m	330*110mm	345*330*122mm	1	362*265*350mm	2	6.7KG ±10%	8.93KG ±10%	0.0335m ³
	12.99*4.33in	13.58*12.99*4.8in	1	14.25*10.43*13.78in	2	14.77 Lbs ±10%	19.69Lbs ±10%	1.185ft ³
25m	330*110mm	345*330*122mm	1	362*265*350mm	2	8.37KG ±10%	10.6KG ±10%	0.0335m ³
	12.99*4.33in	13.58*12.99*4.8in	1	14.25*10.43*13.78in	2	18.45Lbs ±10%	23.37Lbs ±10%	1.185ft ³
50m	330*200mm	/	/	370*370*250mm	1	6.88KG ±10%	8.12KG ±10%	0.0342m ³
	12.99*7.87in	/	/	14.57*14.57*9.84in	1	15.17Lbs ±10%	17.9Lbs ±10%	1.208ft ³

Remarks :

Please contact our sales manager for customized package (color box, blister etc.)

 **Cautions**



Do not pull and crush



Connected to power supply every 50 meters



The minimum bending diameter > 100mm



Please follow the user manual for installation



Operate carefully to avoid electric shock



Power supply retain > 20%



Note the positive and negative poles



Do not press the surface of LED



Only can be used in wet place, do not contact with water directly



No direct sunlight



Do not put plug, bridge rectifier, front and end cap into water



Pay attention to the power and ensure that the power supply wire is not overload



Ensure the output rated voltage operate within $\pm 5\%$



Twist angle > 45°



Operated by professionals



Ensure circuit protector for the electric circuit



The continuous working time do not exceed 12 hours daily



Storage temperature
0°C ~ +60°C
(32°F ~ +140°F)



Operating temperature
-20°C ~ +45°C
(-4°F ~ +113°F)



Relative humidity
40%-70%



Storage life is within 6 months



Defective product photo should be provided for warranty



For avoiding LED get vulcanized, LED strip should be installed in the environment where does not has oil and corrosive substances. Such as these substances which contain Sulphur, Bromine, Iodine and Chlorine. Some other chemical elements which will cause Aromatic hydrocarbons releasing (such as: methylbenzene, xylene, methyl acetoacetate Ethyl acetate etc.). The environment in which includes strong acid and strong base.



During the warranty period, only defective products are acceptable to be replaced by the factory. Factory is not responsible for other expenses because of replacement, such as transportation fee, installation fee, etc..

Factory will not be responsible for warranty if product failure happens because of incorrect installation, incorrect use, man-made damage or irresistible external forces (Earthquake, Typhoon, Tsunami, Tornado, etc.)

** If you do not follow the above "Cautions" to operate and result in damaging the product, the factory will not accept maintenance and return.

**The right of final interpretation is owned by Dilux.